



**data safe™**  
DX

---

PERFORMANCE  
SPECIFICATIONS

---



**EnerSys™**  
Power/Full Solutions





The DataSafe™ DX range of flooded lead calcium flat plate batteries has been designed for use in UPS applications, more specifically large data centers, which demand the highest levels of security and reliability. The proven reliability of DataSafe DX as a leading high rate performance battery is backed by 20 + years of experience in the marketplace.

The DataSafe DX is an economical multi-cell calcium flat plate battery. Multi-cell construction requires fewer units, resulting in lower installation costs. While optimizing the space available in the battery room, it delivers superior performance making the DataSafe DX a superlative cost-effective battery.

The DataSafe DX features EnerSys' time tested Slide-Lock™ post seal design, bolted lead plated copper connectors, optimal grid design, heavy duty plate lug and strap and dual lug design, which make this battery ideal for high rate applications.

All battery systems are rated at 100% capacity at initial discharge. The DataSafe DX has a 20 year life expectancy in float service at 77°F (25°C) ambient temperature.

## Features

- Capacity range: 0.612 - 5.245 kW per cell
- Suitable for UPS & Switchgear applications
- Multi-cell construction
- Cover made from flame retardant PVC
- Container made from styrene acrylonitrile (SAN), also flame retardant polycarbonate (PC) optional
- Long life Slide-Lock™ post seal design

## Standards

- Manufactured in EnerSys production facilities certified to ISO 9001: 2000
- Manufactured in EnerSys production facilities certified to ISO 14000: 1996
- Available testing to IEEE 450 standards as well as customer specific applications.

## Specifications

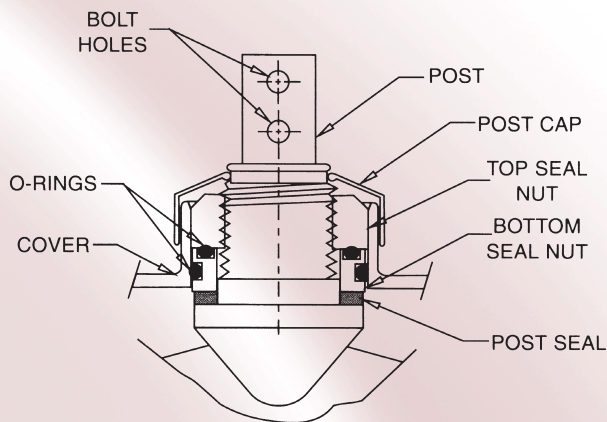
- Plate thickness:  
Positive: 0.200 in/5.1 mm  
Negative: 0.130 in/3.6 mm
- Plate suspension type:  
Positive: Bridge hung  
Negative: Bottom supported
- Container:  
Styrene Acrylonitrile (SAN) Optional flame retardant polycarbonate (PC)
- Cover: Made from flame retardant PVC, UL94-VO/L.O.I. 28%
- Separators: Microporous plastic
- Bolt connectors: Stainless steel, English measure, Hex-Head
- Interunit connectors: Lead-plated copper
- Electrolyte over plates: 2.88 in/73.1 mm
- Vent type: Flame Arrestor, Fused Alumina
- Float voltage settings: Acceptable min/max: 2.17/2.26 Vpc, Recommended: 2.25 Vpc
- Sediment space: 1.04 in/26.4 mm
- Posts:  
Lead-plated copper  
DX-5 to DX-25 - one positive post and one negative post per cell.  
DX-27 to DX-35 - two positive posts and two negative posts per cell.
- Post seal type: Slide-Lock™
- Specific gravity: 1.215 standard (1.250 available upon request)

## General Specifications

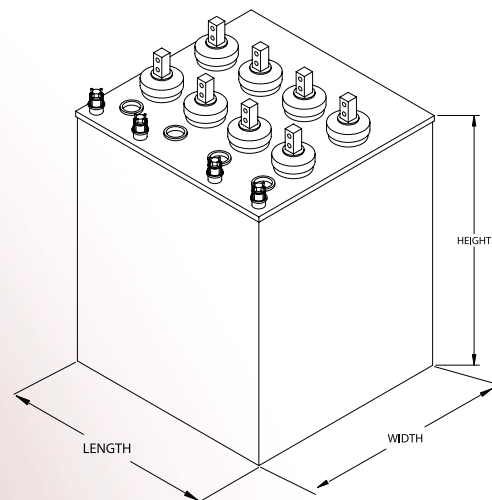
Type*	Number of Cells	Nominal Voltage (V)	Watts/Cell		Nominal Dimensions						Weights - Volumes							
			15 min. rate to 1.67Vpc @ 77°F (25°C) (1.215 S.G.)	15 min. rate to 1.67Vpc @ 77°F (25°C) (1.250 S.G.)	Length**		Width		Height		Unpacked		Domestic Packed		Electrolyte Only 1.215 sg			
					mm	in	mm	in	mm	in	kg	lbs	kg	lbs	kg	lbs	l	gal
4DX-5	4	8	612	673	241	9.50	406	16.00	558	22.00	116.4	256.0	119.5	263.0	36.4	80.0	28.4	7.5
4DX-7	4	8	910	1001	241	9.50	406	16.00	558	22.00	137.7	303.0	141.8	312.0	31.8	70.0	25.4	6.7
4DX-9	4	8	1200	1320	241	9.50	406	16.00	558	22.00	160.5	353.0	152.7	363.0	28.6	63.0	22.7	6.0
4DX-11	4	8	1509	1659	424	16.70	406	16.00	576	22.68	230.5	507.0	237.3	522.0	66.4	146.0	53.0	14.0
4DX-13	4	8	1783	1961	424	16.70	406	16.00	576	22.68	253.2	557.0	260.4	573.0	62.7	138.0	49.2	13.0
4DX-15	4	8	2048	2252	424	16.70	406	16.00	576	22.68	275.5	606.0	283.6	624.0	59.1	130.0	47.3	12.5
4DX-17	4	8	2305	2535	424	16.70	406	16.00	576	22.68	298.2	656.0	306.8	675.0	55.4	122.0	44.7	11.8
4DX-19	4	8	2587	2846	513	20.20	406	16.00	576	22.68	354.4	781.3	363.0	800.3	62.5	137.7	51.5	13.6
4DX-21	4	8	2974	3271	513	20.20	406	16.00	576	22.68	376.6	830.3	385.2	849.3	59.2	130.5	48.8	12.9
2DX-23	2	4	3195	3514	308	12.12	406	16.00	576	22.68	215.1	473.0	222.4	489.3	40.6	89.3	32.4	8.6
2DX-25	2	4	3401	3741	308	12.12	406	16.00	576	22.68	227.0	499.3	234.2	515.3	38.8	85.3	31.0	8.2
2DX-27	2	4	3817	4198	424	16.70	406	16.00	576	22.68	266.8	587.0	274.5	604.0	65.0	143.0	51.8	13.7
2DX-29	2	4	4065	4471	424	16.70	406	16.00	576	22.68	278.6	613.0	287.2	632.0	63.1	139.0	50.3	13.3
2DX-31	2	4	4305	4735	424	16.70	406	16.00	576	22.68	290.0	638.0	298.6	657.0	61.4	135.0	48.4	12.9
2DX-33	2	4	4540	4994	424	16.70	406	16.00	576	22.68	301.4	663.0	310.0	682.0	59.1	130.0	47.3	12.5
2DX-35	2	4	4769	5245	424	16.70	406	16.00	576	22.68	309.0	680.0	318.2	700.0	57.3	126.0	45.8	12.1

\* Prefix indicates number of total cells per jar. Suffix number indicates total plates per cell.

\*\* 0.25 inches must be added between units for spacing purposes when calculating total battery length.



Exclusive Slide-Lock™ Post Seal



1.250 Specific Gravity

Discharge Rates in kW per Cell\*\* to 1.75Vpc at 25°C (77°F)\*

Type	Minutes															Hours		
	5	10	11	12	13	14	15	16	17	18	19	20	25	30	45	60	1.5	2
<b>DX-5B</b>	0.849	0.712	0.690	0.670	0.652	0.635	0.619	0.605	0.592	0.579	0.567	0.556	0.503	0.454	0.348	0.286	0.213	0.176
<b>DX-7B</b>	1.261	1.057	1.024	0.993	0.965	0.940	0.917	0.897	0.878	0.861	0.844	0.827	0.748	0.673	0.519	0.421	0.314	0.257
<b>DX-9B</b>	1.665	1.396	1.351	1.310	1.273	1.239	1.210	1.184	1.160	1.138	1.117	1.095	0.988	0.890	0.738	0.552	0.408	0.331
<b>DX-11B</b>	1.846	1.659	1.629	1.599	1.568	1.536	1.503	1.468	1.433	1.398	1.365	1.333	1.199	1.098	0.861	0.748	0.568	0.464
<b>DX-13B</b>	2.215	1.969	1.931	1.895	1.858	1.821	1.782	1.743	1.703	1.664	1.627	1.590	1.432	1.307	1.027	0.883	0.673	0.549
<b>DX-15B</b>	2.582	2.275	2.229	2.185	2.142	2.099	2.055	2.011	1.967	1.924	1.883	1.843	1.671	1.526	1.148	1.013	0.779	0.633
<b>DX-17B</b>	2.951	2.571	2.516	2.464	2.415	2.367	2.320	2.274	2.228	2.184	2.140	2.098	1.903	1.728	1.319	1.140	0.880	0.713
<b>DX-19B</b>	3.216	2.771	2.702	2.640	2.582	2.526	2.472	2.424	2.378	2.334	2.291	2.251	2.067	1.879	1.488	1.245	0.950	0.774
<b>DX-21B</b>	3.783	3.233	3.149	3.071	2.996	2.929	2.864	2.804	2.745	2.677	2.609	2.544	2.272	2.065	1.645	1.377	1.039	0.840
<b>DX-23B</b>	4.118	3.517	3.425	3.340	3.260	3.184	3.112	3.043	2.977	2.914	2.855	2.798	2.548	2.335	1.837	1.585	1.092	0.886
<b>DX-25B</b>	4.441	3.801	3.701	3.609	3.522	3.440	3.362	3.287	3.217	3.149	3.085	3.024	2.754	2.522	1.968	1.697	1.191	0.966
<b>DX-27B</b>	4.914	4.210	4.098	3.994	3.897	3.806	3.720	3.640	3.564	3.491	3.422	3.356	3.056	2.798	2.231	1.868	1.430	1.144
<b>DX-29B</b>	5.229	4.489	4.370	4.258	4.153	4.056	3.964	3.879	3.798	3.721	3.648	3.577	3.260	2.985	2.356	1.977	1.497	1.206
<b>DX-31B</b>	5.535	4.761	4.634	4.515	4.404	4.301	4.204	4.114	4.029	3.949	3.872	3.798	3.463	3.168	2.492	2.078	1.565	1.252
<b>DX-33B</b>	5.834	5.026	4.891	4.766	4.648	4.539	4.437	4.343	4.254	4.170	4.090	4.013	3.660	3.346	2.622	2.176	1.628	1.296
<b>DX-35B</b>	6.125	5.287	5.145	5.012	4.888	4.772	4.665	4.566	4.473	4.384	4.300	4.220	3.852	3.522	2.730	2.270	1.689	1.335

1.250 Specific Gravity

Discharge Rates in kW per Cell\*\* to 1.67Vpc at 25°C (77°F)\*

Type	Minutes															Hours		
	5	10	11	12	13	14	15	16	17	18	19	20	25	30	45	60	1.5	2
<b>DX-5B</b>	0.926	0.773	0.751	0.730	0.710	0.691	0.673	0.656	0.639	0.623	0.608	0.593	0.527	0.472	0.358	0.298	0.218	0.176
<b>DX-7B</b>	1.377	1.147	1.114	1.084	1.055	1.028	1.001	0.975	0.951	0.927	0.904	0.882	0.783	0.701	0.529	0.441	0.320	0.257
<b>DX-9B</b>	1.822	1.514	1.469	1.428	1.390	1.354	1.320	1.288	1.257	1.227	1.197	1.169	1.034	0.924	0.758	0.579	0.416	0.331
<b>DX-11B</b>	2.198	1.929	1.872	1.816	1.761	1.709	1.659	1.613	1.568	1.526	1.486	1.448	1.284	1.151	0.879	0.761	0.579	0.464
<b>DX-13B</b>	2.638	2.285	2.214	2.145	2.080	2.019	1.961	1.908	1.857	1.809	1.764	1.720	1.526	1.361	1.040	0.903	0.686	0.549
<b>DX-15B</b>	3.078	2.632	2.547	2.466	2.390	2.319	2.252	2.191	2.134	2.080	2.029	1.980	1.763	1.575	1.180	1.042	0.795	0.633
<b>DX-17B</b>	3.518	2.968	2.869	2.776	2.689	2.609	2.535	2.468	2.405	2.347	2.291	2.238	2.000	1.788	1.331	1.177	0.898	0.713
<b>DX-19B</b>	4.115	3.334	3.219	3.114	3.016	2.927	2.846	2.768	2.695	2.629	2.565	2.505	2.245	2.033	1.580	1.298	0.969	0.787
<b>DX-21B</b>	4.543	3.861	3.720	3.593	3.478	3.372	3.271	3.180	3.094	3.012	2.935	2.862	2.540	2.281	1.762	1.443	1.079	0.867
<b>DX-23B</b>	4.811	4.050	3.929	3.815	3.709	3.609	3.514	3.425	3.340	3.259	3.181	3.106	2.763	2.463	1.862	1.618	1.115	0.886
<b>DX-25B</b>	5.199	4.369	4.222	4.084	3.958	3.844	3.741	3.648	3.563	3.483	3.407	3.333	2.984	2.657	2.008	1.741	1.216	0.966
<b>DX-27B</b>	5.766	4.837	4.691	4.556	4.429	4.310	4.198	4.093	3.993	3.898	3.805	3.716	3.307	2.941	2.196	1.925	1.451	1.152
<b>DX-29B</b>	6.149	5.154	4.998	4.852	4.717	4.590	4.471	4.360	4.253	4.152	4.054	3.959	3.526	3.135	2.322	2.045	1.528	1.206
<b>DX-31B</b>	6.523	5.459	5.293	5.139	4.995	4.861	4.735	4.617	4.505	4.398	4.296	4.196	3.738	3.321	2.442	2.159	1.595	1.252
<b>DX-33B</b>	6.894	5.761	5.584	5.420	5.268	5.126	4.994	4.870	4.753	4.641	4.534	4.430	3.948	3.505	2.565	2.273	1.661	1.296
<b>DX-35B</b>	7.253	6.053	5.867	5.694	5.534	5.385	5.245	5.116	4.994	4.877	4.764	4.656	4.153	3.685	2.676	2.380	1.723	1.335

\*kW values listed represent 100% of the initial capacity.  
 \*\*At 77°F (25°C) includes intercell connector drop.  
 All data subject to change without notice.

1.250 Specific Gravity

Discharge Rates in kW per Cell\*\* to 1.63Vpc at 25°C (77°F)\*

Type	Minutes															Hours		
	5	10	11	12	13	14	15	16	17	18	19	20	25	30	45	60	1.5	2
<b>DX-5B</b>	0.938	0.791	0.768	0.747	0.726	0.706	0.688	0.669	0.651	0.634	0.618	0.602	0.531	0.473	0.358	0.298	0.218	0.176
<b>DX-7B</b>	1.396	1.174	1.140	1.108	1.078	1.050	1.022	0.995	0.969	0.944	0.920	0.897	0.791	0.702	0.529	0.441	0.320	0.257
<b>DX-9B</b>	1.844	1.550	1.505	1.463	1.423	1.385	1.349	1.313	1.280	1.248	1.217	1.189	1.068	0.977	0.758	0.579	0.416	0.331
<b>DX-11B</b>	2.303	1.971	1.911	1.853	1.798	1.745	1.695	1.647	1.602	1.558	1.517	1.477	1.300	1.154	0.879	0.761	0.579	0.464
<b>DX-13B</b>	2.765	2.346	2.270	2.197	2.129	2.065	2.005	1.950	1.898	1.848	1.801	1.756	1.551	1.375	1.040	0.903	0.686	0.549
<b>DX-15B</b>	3.225	2.715	2.622	2.534	2.451	2.375	2.306	2.241	2.181	2.125	2.071	2.020	1.786	1.581	1.180	1.042	0.795	0.633
<b>DX-17B</b>	3.685	3.077	2.964	2.859	2.762	2.674	2.595	2.523	2.458	2.397	2.339	2.283	2.028	1.795	1.331	1.177	0.898	0.713
<b>DX-19B</b>	4.323	3.559	3.420	3.293	3.182	3.078	2.981	2.893	2.809	2.731	2.660	2.591	2.298	2.063	1.585	1.298	0.969	0.787
<b>DX-21B</b>	4.816	4.071	3.936	3.791	3.655	3.532	3.418	3.310	3.212	3.120	3.032	2.949	2.593	2.320	1.781	1.448	1.079	0.867
<b>DX-23B</b>	5.045	4.212	4.074	3.945	3.824	3.713	3.609	3.513	3.422	3.335	3.253	3.173	2.806	2.482	1.862	1.618	1.115	0.886
<b>DX-25B</b>	5.454	4.551	4.397	4.254	4.121	3.999	3.886	3.783	3.686	3.595	3.507	3.423	3.031	2.677	2.008	1.741	1.216	0.966
<b>DX-27B</b>	6.045	5.044	4.877	4.722	4.578	4.445	4.321	4.206	4.098	3.995	3.897	3.801	3.361	2.965	2.196	1.925	1.451	1.152
<b>DX-29B</b>	6.448	5.380	5.202	5.035	4.881	4.738	4.607	4.485	4.371	4.262	4.158	4.057	3.585	3.155	2.322	2.045	1.528	1.206
<b>DX-31B</b>	6.845	5.710	5.520	5.343	5.179	5.028	4.888	4.759	4.638	4.523	4.412	4.305	3.802	3.340	2.442	2.159	1.595	1.252
<b>DX-33B</b>	7.234	6.030	5.829	5.642	5.468	5.308	5.161	5.026	4.899	4.778	4.662	4.549	4.017	3.524	2.565	2.273	1.661	1.296
<b>DX-35B</b>	7.613	6.345	6.132	5.933	5.750	5.582	5.427	5.286	5.153	5.027	4.906	4.788	4.226	3.698	2.676	2.380	1.723	1.335

1.250 Specific Gravity

Discharge Rates in kW per Cell\*\* to 1.60Vpc at 25°C (77°F)\*

Type	Minutes															Hours		
	5	10	11	12	13	14	15	16	17	18	19	20	25	30	45	60	1.5	2
<b>DX-5B</b>	0.950	0.796	0.773	0.752	0.731	0.711	0.692	0.673	0.655	0.638	0.621	0.605	0.532	0.473	0.358	0.298	0.218	0.176
<b>DX-7B</b>	1.410	1.186	1.150	1.117	1.086	1.056	1.027	1.000	0.973	0.948	0.923	0.899	0.792	0.702	0.529	0.441	0.320	0.257
<b>DX-9B</b>	1.861	1.568	1.521	1.477	1.435	1.395	1.357	1.321	1.287	1.254	1.223	1.194	1.070	0.977	0.758	0.579	0.416	0.331
<b>DX-11B</b>	2.367	2.010	1.949	1.891	1.835	1.781	1.729	1.679	1.631	1.584	1.539	1.496	1.307	1.154	0.879	0.761	0.579	0.464
<b>DX-13B</b>	2.840	2.391	2.315	2.242	2.173	2.108	2.046	1.987	1.932	1.878	1.827	1.778	1.559	1.375	1.040	0.903	0.686	0.549
<b>DX-15B</b>	3.314	2.768	2.674	2.586	2.503	2.427	2.355	2.288	2.226	2.166	2.109	2.053	1.801	1.581	1.180	1.042	0.795	0.633
<b>DX-17B</b>	3.787	3.137	3.025	2.919	2.822	2.733	2.652	2.578	2.509	2.444	2.382	2.322	2.045	1.795	1.331	1.177	0.898	0.713
<b>DX-19B</b>	4.484	3.675	3.531	3.395	3.270	3.160	3.056	2.960	2.870	2.786	2.707	2.633	2.320	2.066	1.585	1.298	0.969	0.787
<b>DX-21B</b>	5.036	4.175	4.034	3.887	3.746	3.614	3.490	3.375	3.267	3.168	3.073	2.985	2.611	2.329	1.781	1.448	1.079	0.867
<b>DX-23B</b>	5.194	4.292	4.144	4.007	3.879	3.761	3.652	3.550	3.455	3.365	3.279	3.195	2.815	2.482	1.862	1.618	1.115	0.886
<b>DX-25B</b>	5.616	4.642	4.493	4.354	4.224	4.101	3.984	3.873	3.767	3.665	3.567	3.472	3.043	2.677	2.008	1.741	1.216	0.966
<b>DX-27B</b>	6.224	5.154	4.974	4.807	4.652	4.510	4.379	4.259	4.147	4.040	3.938	3.840	3.379	2.965	2.196	1.925	1.451	1.152
<b>DX-29B</b>	6.641	5.501	5.309	5.130	4.965	4.814	4.675	4.548	4.429	4.316	4.207	4.102	3.607	3.155	2.322	2.045	1.528	1.206
<b>DX-31B</b>	7.047	5.840	5.636	5.446	5.271	5.111	4.964	4.830	4.704	4.585	4.471	4.359	3.829	3.340	2.442	2.159	1.595	1.252
<b>DX-33B</b>	7.444	6.177	5.960	5.758	5.572	5.402	5.247	5.106	4.974	4.849	4.728	4.611	4.049	3.524	2.565	2.273	1.661	1.296
<b>DX-35B</b>	7.834	6.505	6.277	6.064	5.867	5.688	5.525	5.377	5.239	5.107	4.980	4.857	4.260	3.698	2.676	2.380	1.723	1.335

\*kW values listed represent 100% of the initial capacity.  
 \*\*At 77°F (25°C) includes intercell connector drop.  
 All data subject to change without notice.

1.215 Specific Gravity

Discharge Rates in kW per Cell\*\* to 1.75Vpc at 25°C (77°F)\*

Type	Minutes															Hours		
	5	10	11	12	13	14	15	16	17	18	19	20	25	30	45	60	1.5	2
<b>DX-5</b>	0.772	0.647	0.627	0.609	0.592	0.577	0.563	0.550	0.538	0.527	0.516	0.506	0.457	0.413	0.316	0.260	0.194	0.160
<b>DX-7</b>	1.146	0.961	0.931	0.903	0.878	0.855	0.834	0.816	0.799	0.782	0.767	0.752	0.680	0.612	0.472	0.383	0.285	0.234
<b>DX-9</b>	1.514	1.269	1.228	1.191	1.157	1.127	1.100	1.076	1.055	1.035	1.015	0.996	0.898	0.809	0.671	0.502	0.371	0.301
<b>DX-11</b>	1.678	1.508	1.481	1.454	1.426	1.397	1.366	1.334	1.302	1.271	1.241	1.212	1.090	0.998	0.783	0.680	0.516	0.422
<b>DX-13</b>	2.014	1.790	1.756	1.723	1.689	1.655	1.620	1.584	1.548	1.513	1.479	1.446	1.302	1.188	0.934	0.803	0.612	0.499
<b>DX-15</b>	2.347	2.068	2.026	1.987	1.947	1.908	1.868	1.828	1.788	1.749	1.711	1.675	1.519	1.387	1.044	0.921	0.708	0.575
<b>DX-17</b>	2.683	2.337	2.287	2.240	2.195	2.152	2.109	2.067	2.026	1.985	1.946	1.907	1.730	1.571	1.199	1.036	0.800	0.648
<b>DX-19</b>	2.924	2.519	2.456	2.400	2.347	2.296	2.247	2.204	2.162	2.122	2.083	2.046	1.879	1.708	1.353	1.132	0.864	0.704
<b>DX-21</b>	3.439	2.939	2.863	2.792	2.724	2.663	2.604	2.549	2.495	2.434	2.372	2.313	2.065	1.877	1.495	1.252	0.945	0.764
<b>DX-23</b>	3.744	3.197	3.114	3.036	2.964	2.895	2.829	2.766	2.707	2.650	2.595	2.543	2.316	2.123	1.670	1.441	0.993	0.805
<b>DX-25</b>	4.037	3.455	3.365	3.281	3.202	3.127	3.056	2.989	2.924	2.863	2.805	2.749	2.504	2.293	1.789	1.543	1.083	0.878
<b>DX-27</b>	4.467	3.827	3.726	3.631	3.542	3.460	3.382	3.309	3.240	3.174	3.111	3.051	2.778	2.544	2.028	1.698	1.300	1.040
<b>DX-29</b>	4.754	4.081	3.972	3.871	3.776	3.687	3.604	3.526	3.453	3.383	3.316	3.252	2.964	2.714	2.142	1.797	1.361	1.096
<b>DX-31</b>	5.032	4.328	4.213	4.105	4.004	3.910	3.822	3.740	3.663	3.590	3.520	3.453	3.148	2.880	2.265	1.889	1.423	1.138
<b>DX-33</b>	5.304	4.569	4.447	4.332	4.226	4.126	4.034	3.948	3.868	3.791	3.718	3.648	3.327	3.042	2.384	1.978	1.480	1.178
<b>DX-35</b>	5.568	4.806	4.677	4.556	4.443	4.338	4.241	4.151	4.066	3.986	3.909	3.836	3.502	3.202	2.482	2.064	1.535	1.214

1.215 Specific Gravity

Discharge Rates in kW per Cell\*\* to 1.67Vpc at 25°C (77°F)\*

Type	Minutes															Hours		
	5	10	11	12	13	14	15	16	17	18	19	20	25	30	45	60	1.5	2
<b>DX-5</b>	0.842	0.703	0.683	0.664	0.646	0.628	0.612	0.596	0.581	0.566	0.552	0.539	0.479	0.429	0.325	0.271	0.198	0.160
<b>DX-7</b>	1.252	1.043	1.013	0.985	0.959	0.934	0.910	0.887	0.864	0.843	0.822	0.802	0.712	0.637	0.481	0.401	0.291	0.234
<b>DX-9</b>	1.656	1.376	1.336	1.298	1.264	1.231	1.200	1.171	1.142	1.115	1.089	1.063	0.940	0.840	0.689	0.526	0.378	0.301
<b>DX-11</b>	1.998	1.754	1.702	1.651	1.601	1.554	1.509	1.466	1.426	1.387	1.351	1.316	1.167	1.046	0.799	0.692	0.526	0.422
<b>DX-13</b>	2.398	2.077	2.013	1.950	1.891	1.835	1.783	1.734	1.688	1.645	1.603	1.564	1.387	1.237	0.945	0.821	0.624	0.499
<b>DX-15</b>	2.798	2.393	2.316	2.242	2.173	2.108	2.048	1.992	1.940	1.891	1.844	1.800	1.603	1.432	1.073	0.947	0.723	0.575
<b>DX-17</b>	3.198	2.698	2.608	2.523	2.445	2.372	2.305	2.244	2.187	2.133	2.083	2.034	1.818	1.625	1.210	1.070	0.816	0.648
<b>DX-19</b>	3.741	3.031	2.926	2.831	2.742	2.661	2.587	2.516	2.450	2.390	2.332	2.277	2.041	1.848	1.436	1.180	0.881	0.715
<b>DX-21</b>	4.130	3.510	3.382	3.266	3.162	3.065	2.974	2.891	2.813	2.738	2.668	2.602	2.309	2.074	1.602	1.312	0.981	0.788
<b>DX-23</b>	4.374	3.682	3.572	3.469	3.372	3.281	3.195	3.114	3.037	2.963	2.892	2.824	2.512	2.239	1.693	1.471	1.014	0.805
<b>DX-25</b>	4.726	3.972	3.838	3.713	3.599	3.495	3.401	3.317	3.239	3.166	3.097	3.030	2.713	2.415	1.825	1.583	1.105	0.878
<b>DX-27</b>	5.242	4.397	4.265	4.142	4.026	3.918	3.817	3.721	3.630	3.543	3.459	3.378	3.006	2.674	1.996	1.750	1.319	1.047
<b>DX-29</b>	5.590	4.685	4.543	4.411	4.288	4.173	4.065	3.963	3.867	3.774	3.685	3.599	3.205	2.850	2.111	1.859	1.389	1.096
<b>DX-31</b>	5.930	4.963	4.812	4.672	4.541	4.419	4.305	4.198	4.096	3.999	3.905	3.815	3.398	3.019	2.220	1.963	1.450	1.138
<b>DX-33</b>	6.267	5.237	5.076	4.927	4.789	4.660	4.540	4.428	4.321	4.219	4.122	4.027	3.589	3.186	2.332	2.066	1.510	1.178
<b>DX-35</b>	6.594	5.503	5.334	5.176	5.031	4.895	4.769	4.651	4.540	4.434	4.331	4.233	3.775	3.350	2.433	2.164	1.566	1.214

\*kW values listed represent 100% of the initial capacity.

\*\*At 77°F (25°C) includes intercell connector drop.

All data subject to change without notice.

1.215 Specific Gravity

Discharge Rates in kW per Cell\*\* to 1.63Vpc at 25°C (77°F)\*

Type	Minutes															Hours		
	5	10	11	12	13	14	15	16	17	18	19	20	25	30	45	60	1.5	2
DX-5	0.853	0.719	0.698	0.679	0.660	0.642	0.625	0.608	0.592	0.577	0.562	0.547	0.483	0.430	0.325	0.271	0.198	0.160
DX-7	1.269	1.067	1.036	1.008	0.980	0.954	0.929	0.905	0.881	0.859	0.837	0.815	0.719	0.638	0.481	0.401	0.291	0.234
DX-9	1.676	1.409	1.368	1.330	1.294	1.259	1.226	1.194	1.163	1.134	1.107	1.081	0.971	0.888	0.689	0.526	0.378	0.301
DX-11	2.094	1.792	1.737	1.685	1.634	1.587	1.541	1.498	1.456	1.417	1.379	1.343	1.182	1.049	0.799	0.692	0.526	0.422
DX-13	2.514	2.133	2.064	1.997	1.935	1.877	1.823	1.773	1.725	1.680	1.637	1.596	1.410	1.250	0.945	0.821	0.624	0.499
DX-15	2.932	2.468	2.383	2.303	2.229	2.160	2.096	2.038	1.983	1.932	1.883	1.836	1.624	1.437	1.073	0.947	0.723	0.575
DX-17	3.350	2.797	2.695	2.599	2.511	2.431	2.359	2.294	2.234	2.179	2.126	2.076	1.844	1.632	1.210	1.070	0.816	0.648
DX-19	3.930	3.235	3.109	2.994	2.893	2.798	2.710	2.630	2.554	2.483	2.418	2.355	2.089	1.875	1.441	1.180	0.881	0.715
DX-21	4.378	3.701	3.578	3.446	3.323	3.211	3.107	3.009	2.920	2.836	2.756	2.681	2.357	2.109	1.619	1.316	0.981	0.788
DX-23	4.586	3.829	3.703	3.586	3.477	3.375	3.281	3.193	3.111	3.032	2.957	2.884	2.551	2.256	1.693	1.471	1.014	0.805
DX-25	4.958	4.137	3.997	3.867	3.746	3.635	3.533	3.439	3.351	3.268	3.189	3.112	2.755	2.434	1.825	1.583	1.105	0.878
DX-27	5.495	4.585	4.434	4.293	4.162	4.041	3.928	3.824	3.725	3.632	3.542	3.456	3.055	2.695	1.996	1.750	1.319	1.047
DX-29	5.862	4.891	4.729	4.578	4.437	4.308	4.188	4.077	3.974	3.875	3.780	3.688	3.259	2.868	2.111	1.859	1.389	1.096
DX-31	6.223	5.191	5.019	4.858	4.709	4.571	4.444	4.327	4.217	4.112	4.011	3.914	3.456	3.036	2.220	1.963	1.450	1.138
DX-33	6.576	5.482	5.299	5.129	4.971	4.826	4.692	4.569	4.453	4.343	4.238	4.135	3.652	3.204	2.332	2.066	1.510	1.178
DX-35	6.921	5.768	5.574	5.394	5.227	5.074	4.934	4.805	4.685	4.570	4.460	4.353	3.842	3.362	2.433	2.164	1.566	1.214

1.215 Specific Gravity

Discharge Rates in kW per Cell\*\* to 1.60Vpc at 25°C (77°F)\*

Type	Minutes															Hours		
	5	10	11	12	13	14	15	16	17	18	19	20	25	30	45	60	1.5	2
DX-5	0.864	0.724	0.703	0.683	0.665	0.647	0.629	0.612	0.596	0.580	0.564	0.550	0.484	0.430	0.325	0.271	0.198	0.160
DX-7	1.282	1.078	1.046	1.016	0.987	0.960	0.934	0.909	0.885	0.862	0.839	0.818	0.720	0.638	0.481	0.401	0.291	0.234
DX-9	1.692	1.425	1.382	1.342	1.305	1.269	1.234	1.201	1.170	1.140	1.112	1.085	0.973	0.888	0.689	0.526	0.378	0.301
DX-11	2.152	1.827	1.772	1.719	1.668	1.619	1.572	1.526	1.482	1.440	1.399	1.360	1.188	1.049	0.799	0.692	0.526	0.422
DX-13	2.582	2.174	2.104	2.038	1.976	1.916	1.860	1.807	1.756	1.708	1.661	1.617	1.417	1.250	0.945	0.821	0.624	0.499
DX-15	3.013	2.516	2.431	2.351	2.276	2.206	2.141	2.080	2.023	1.969	1.917	1.867	1.637	1.437	1.073	0.947	0.723	0.575
DX-17	3.443	2.852	2.750	2.654	2.566	2.485	2.411	2.344	2.281	2.222	2.166	2.111	1.859	1.632	1.210	1.070	0.816	0.648
DX-19	4.076	3.341	3.210	3.086	2.973	2.873	2.778	2.691	2.609	2.533	2.461	2.394	2.109	1.878	1.441	1.180	0.881	0.715
DX-21	4.578	3.795	3.667	3.534	3.405	3.285	3.173	3.068	2.970	2.880	2.794	2.714	2.374	2.117	1.619	1.316	0.981	0.788
DX-23	4.722	3.902	3.768	3.643	3.527	3.419	3.320	3.228	3.141	3.059	2.981	2.905	2.559	2.256	1.693	1.471	1.014	0.805
DX-25	5.105	4.220	4.085	3.958	3.840	3.728	3.622	3.521	3.424	3.332	3.242	3.156	2.766	2.434	1.825	1.583	1.105	0.878
DX-27	5.658	4.685	4.522	4.370	4.229	4.100	3.981	3.872	3.770	3.673	3.580	3.491	3.072	2.695	1.996	1.750	1.319	1.047
DX-29	6.037	5.001	4.826	4.664	4.514	4.376	4.250	4.134	4.026	3.924	3.825	3.729	3.279	2.868	2.111	1.859	1.389	1.096
DX-31	6.406	5.309	5.124	4.951	4.792	4.646	4.513	4.391	4.277	4.168	4.064	3.963	3.481	3.036	2.220	1.963	1.450	1.138
DX-33	6.767	5.615	5.418	5.234	5.065	4.911	4.770	4.641	4.522	4.408	4.299	4.192	3.681	3.204	2.332	2.066	1.510	1.178
DX-35	7.122	5.914	5.706	5.512	5.334	5.171	5.023	4.888	4.762	4.643	4.528	4.415	3.873	3.362	2.433	2.164	1.566	1.214

\*kW values listed represent 100% of the initial capacity.

\*\*At 77°F (25°C) includes intercell connector drop.

All data subject to change without notice.



[www.enersys.com](http://www.enersys.com)

**EnerSys**  
P.O. Box 14145  
Reading, PA 19612-4145  
USA  
Tel: +1-610-208-1991  
+1-800-538-3627  
Fax: +1-610-372-8613

**EnerSys EMEA**  
Brussels, Belgium  
Tel: +32 (0)2 247 94 47

**EnerSys Asia**  
Guangdong, China  
Tel: +86-755-2689 3639

Represented by:

Printed in U.S.A.  
© 2005 EnerSys. All rights reserved.  
Trademarks and logos are the property  
of EnerSys and its affiliates unless  
otherwise noted.